

DSP Based Adjustable Closed-Loop DC Motor Speed Control System

R. S. Gargees

Electrical Power Eng. Dept.
Technical College

ravan187@yahoo.com

A.K. Z. Mansoor

kreem52@yahoo.com

R. A. Khalil

Mechatronics Eng. Dept
Engineering College

rafidamori@yahoo.com

Abstract

This paper deals with real time DC motor speed control, using the low-cost new generation TMS320LF2812 digital signal processor (DSP). An optimal control algorithm which can be realized through event manager (EV) module of the DSP is proposed. According to the error signal DSP processor will change the duty cycle of the PWM (which can be named mark-space ratio). The comparison between two signals (reference and actual speed) in addition to the PWM technique are included in a C++ language program. Code composer studio (CCS) is used to load and run the program to achieve real time control. Theoretically Matlab/Simulink software was used for simulation the proposed circuit before implementation. A PID controller is designed using MATLAB to generate a set of coefficients associated with the desired controller characteristics.

Keywords- DSP, speed control, DC motor, DC- DC converter.

استخدام معالج الاشارة الرقمي في التحكم بمنظومة الحلقة المغلقة لسرعة
محرك التيار المستمر

رافد احمد خليل
قسم هندسة الميكاترونكس

ريان سعدالله جرجيس
قسم هندسة تقنيات القدرة الكهربائية

الخلاصة

يتعلق هذا البحث بالسيطرة على سرعة محرك التيار المستمر بالزمن الحقيقي باستخدام معالج الاشارة الرقمي TMS320F2812. تم اقتراح خوارزمية سيطرة مثالية من خلال استخدام وحدة (EV) Event manager في معالج الاشارة الرقمي. طبقا لاشارة الخطأ فان معالج الاشارة الرقمي يقوم بتغيير عامل الخدمة في اشارة تضمين عرض النبضة. عملية المقارنة بين الاشارتين المرجعية والحقيقية قد بنيت باستخدام برنامج بلغة C++. استخدمت بيئة CCS لتحميل وتنفيذ هذا البرنامج للوصول الى منظومة سيطرة تعمل بالزمن الحقيقي. نظرياً تم استخدام برنامج MATLAB/SIMULINK لمحاكاة الدائرة المقترحة قبل التطبيق حيث تم تصميم المسيطر التفاضلي التكاملي لتوليد مجموعة المعاملات المرتبطة بخصائص السيطرة المطلوبة.

I. Introduction

Direct current (DC) motors have been widely used in many industrial applications such as electric vehicles, steel rolling mills, electric cranes, and robotic manipulators due to precise, wide, simple, and continuous control characteristics. DC motors have long been the primary means of Electrical Traction. DC motor has torque/speed characteristics compatible with most mechanical loads [1].

The speed control methods of a dc motor are simpler and less expensive than other types of motors and speed control over a large range both below and above rated speed can be easily achieved. Recently, brush less DC motors, induction motors and synchronous motors have gained wide spread use in Electrical Traction. However, there is a persistent effort towards making them behave like dc motors through innovative designs and control strategies. Hence, dc motors are always a good proving ground for advanced control algorithms because the theory is extendable to other types of motors. By controlling DC motors accurately, they can overlap many applications of stepper motors [2-4].

The uses of digital signal processors (DSPs) have permitted the increasingly stringent performance requirements and fast, efficient, and accurate control of servomotor and motion control systems. DSPs such as TMS320F2812 a (C2000) from Texas Instruments are currently used for wide range of control applications and communications. They continue to be successful because of available low cost support tools. DSP based systems can be readily programmed for different applications

DSP processor will take the speed of the motor as the feedback signal and according to the difference between the set point speed and the present speed finally it will change the duty cycle of the base drive signal, which is given as the input to the buck converter. Basically the buck converter is a step down converter and it will supply the input to the DC motor according to the input duty cycle. The combined transfer functions of the buck converter and the motor are simulated for the desired PID controller.

II. State Space Modeling of the Buck Converter and DC Motor

Basically the buck converter is a step down converter. DC-to-DC converters are inherently nonlinear due to switching operation. The regulation is normally achieved by the PWM (mark-space ratio) at fixed frequency. The switching device is power MOSFET, which has low losses at high frequency and are voltage controlled. Here buck converter is used to give the regulated DC supply to the DC motor according to the duty cycle of input.

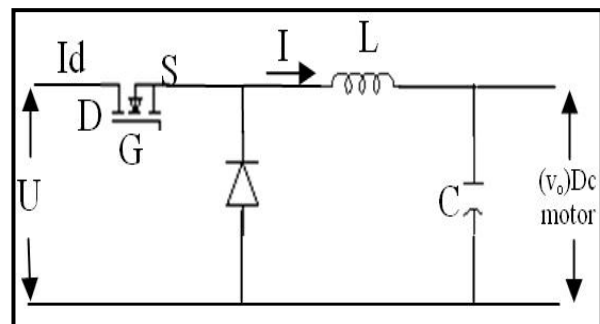


Figure (1) Buck converter or step down

The buck converter is modeled using averaged signal model [5][6]. From Fig.(1), a buck converter model is obtained using linear differential equations where i_L is inductor current, u is input voltage, K is duty cycle, L is circuit inductance R_L is the inductor resistance, C is the output capacitance and R is the load resistance.

The general formula for dynamic equation

$$\dot{x} = Ax + Bu$$

----- (1)

$$y = Cx + Du \quad \text{----- (2)}$$

Mode1 when the switch is ON, gives the following equation

$$\begin{bmatrix} \frac{di_L}{dt} \\ \frac{dv_c}{dt} \end{bmatrix} = \begin{bmatrix} \frac{-R_L}{L} & \frac{-1}{L} \\ \frac{1}{C} & \frac{-1}{RC} \end{bmatrix} \begin{bmatrix} I_L \\ V_c \end{bmatrix} + \begin{bmatrix} \frac{1}{L} \\ 0 \end{bmatrix} u \quad \text{----- (3)}$$

$$v_o = [0 \quad 1] \begin{bmatrix} I_L \\ V_c \end{bmatrix} \quad \text{----- (4)}$$

Mode2 when the switch is OFF gives the following equation

$$\begin{bmatrix} \frac{di_L}{dt} \\ \frac{dv_c}{dt} \end{bmatrix} = \begin{bmatrix} \frac{-R_L}{L} & \frac{-1}{L} \\ \frac{1}{C} & \frac{-1}{RC} \end{bmatrix} \begin{bmatrix} I_L \\ V_c \end{bmatrix} + 0 \quad \text{----- (5)}$$

$$v_o = [0 \quad 1] \begin{bmatrix} I_L \\ V_c \end{bmatrix} \quad \text{----- (6)}$$

Thus the total solution can be obtained by state space averaging, then by summing the terms for each analysis the linear mode switching periods can be obtained, using the universal format, as.

$$A = A_1K + A_2(1 - K) \quad \text{----- (7)}$$

$$B = B_1K + B_2(1 - K) \quad \text{----- (8)}$$

Substituting A_1 , A_2 , B_1 , and B_2 then the final state space equation can be written as

$$\begin{bmatrix} \frac{di_L}{dt} \\ \frac{dv_c}{dt} \end{bmatrix} = \begin{bmatrix} \frac{-R_L}{L} & \frac{-1}{L} \\ \frac{1}{C} & \frac{-1}{RC} \end{bmatrix} \begin{bmatrix} I_L \\ V_c \end{bmatrix} + \begin{bmatrix} \frac{1}{L} \\ 0 \end{bmatrix} uK \quad \text{----- (9)}$$

In order to get the dynamic model the small signal perturbation must be introduced

$$\begin{aligned} u &= U + \tilde{u} \\ v_o &= V_o + \tilde{v}_o \\ k &= K + \tilde{k} \\ i_c &= I_c + \tilde{i}_c \end{aligned}$$

Here the load is assumed as DC motor where, capital letters have been used to describe the converter operating point.

$$G_{2(s)} = \frac{\tilde{v}_o}{\tilde{k}} = \frac{u}{S^2(LC) + S(\frac{L}{R} + R_L C) + (1 + \frac{R_L}{R})} \quad \text{----- (10)}$$

Where $R = \text{inf } \Omega$, $L = 5.5\text{mH}$, $C = 47\mu\text{F}$, $R_L = 2\Omega$ and $U = 220 \text{ V}$.

The transfer function of the buck converter is as follows:

$$G_{2(s)} = \frac{220}{(2.585e-7)S^2 + (9.4e-5)S + 1} \quad \text{----- (11)}$$

The transfer function of the DC motor is as follows:

$$G_{1(s)} = \frac{1.387}{0.0007296S^2 + 0.07288S + 2.046} \quad \text{----- (12)}$$

The combined transfer function of both the DC motor and the Buck converter is obtained by

$$G_{(s)} = G_{1(s)} * G_{2(s)} \quad \text{----- (13)}$$

The cascaded transfer function obtained as follows:

$$G_s = \frac{305.1}{(1.886e-10)S^4 + (8.742e-8)S^3 + 0.000737S^2 + 0.07307S + 2.046} \quad \text{----- (14)}$$

III. Modeling and Control of DC Motor

The closed-loop speed control system in this study consists of a separately excited DC motor, a pulse width modulation at constant frequency, chopper, and proportional integral derivative type (PID) for speed and current controller that design using Ziegler-Nichols method. The transfer function which was found it in the previous section is used in MATLAB Program with multiple closed loop control system to tune the parameters of the PID controller. The closed-loop control of the motor has basically two feedback loops. The outer loop is a speed feedback loop and the inner loop is the current feedback loop. The controllers used in these loops are both of the PID type. The parameters of PID controller which was found it is used in the Power System Blockset (P.S.B) library to build the model of the system. The speed controller output is fed to a current limiter that produces controller signal to the current and this implement the reference for the current controller. The output of the current controller is the input to the uniform pulse width modulated (PWM) generator that controls the motor input voltage [7]. The MATLAB simulation model of the closed loop control system of the DC motor is given in Fig. (2).

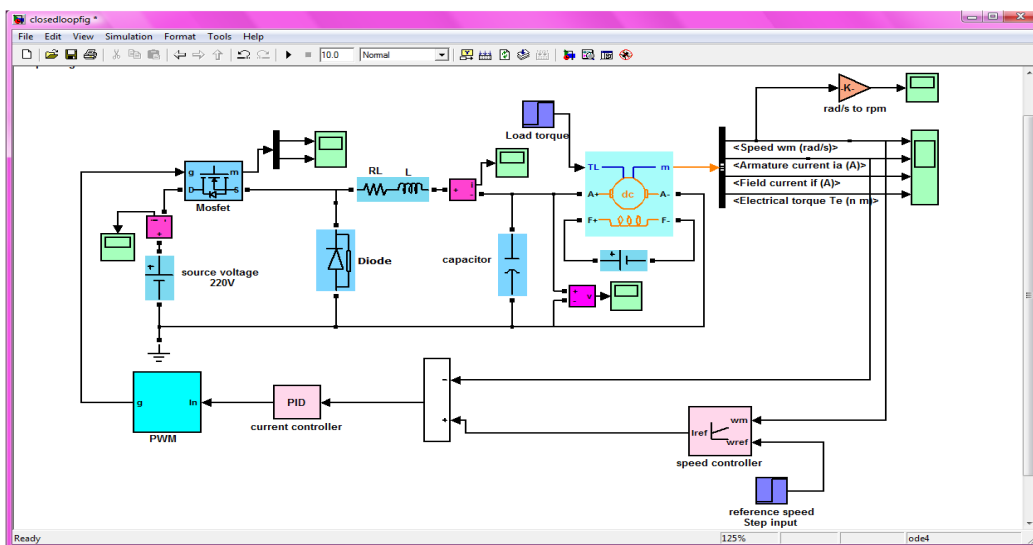


Figure (2) MATLAB model of a separately excited dc motor speed control.

IV. Practical Drive Circuits

To drive the power MOSFET of the chopper circuit is needs at least 7V, and the PWM output from DSP Kit does not exceed 3.3 Volt. Therefore, an electrical circuit must be designed to amplify output signal and isolate the DSP Kit from MOSFET gate. This circuit consists of three stages, buffer circuit, Optocoupler circuit and matching circuit. The practical isolated firing circuit is shown in Fig.(3).

Also for 3.3V ADC, the sensing and amplification stages usually must produce at the ADC input a signal swing of 0-3.3V. This is to achieve maximum signal magnitude and signal-to-noise ratio at the ADC input. It is a good practice to use an op-amp driver circuit for signal conditioning of input analog signals and as a buffer. The op-amp isolates the ADC acts as a low-impedance source to charge the sample capacitor and configured as a gain buffer. It provides low/stable output impedance and protects the ADC inputs.

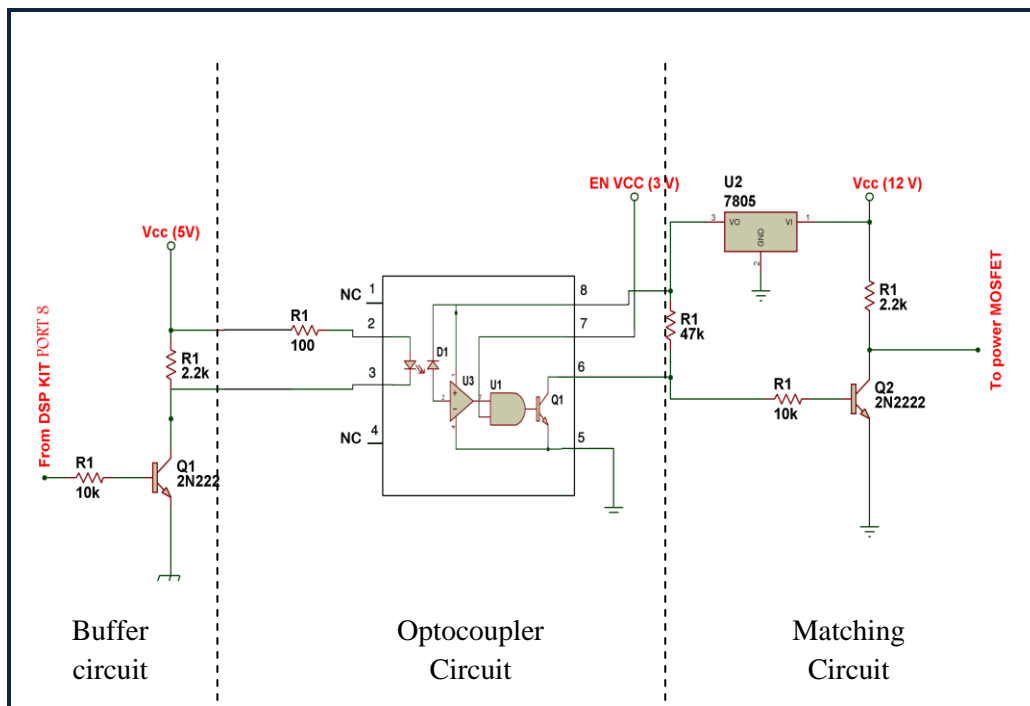


Figure (3) schematic diagram for practical isolated firing circuit with optocoupler and gate driver.

V. Programming of TMS320F2812 Digital Signal Processor

The TMS320F2812 DSP has many special features for the control applications. It has Event Manager that is specially designed for the motor control and motion control applications [8]. The general-purpose Timer3 in EVB (Event Manager B) is used in continuous up/down count mode for the symmetric PWM generation. Timers have associated compare registers which are used to write the calculated duty ratio values. These values then get compared with the timer counter value in order to generate the PWM output [9].

The F281x and C281x can be clocked by an external oscillator or by a crystal attached to the on-chip oscillator circuit. A Phase Locked Loop (PLL) is provided supporting up to 10-input clock-scaling ratios. The phase lock loop control register (PLLCR); DIV bits (3-0) are used to change the PLL multiplier of the device. When the CPU writes to the DIV bits,

the PLL logic switches the CPU clock (CLKIN) to OSCCLK/2. Once the PLL is stable and has locked at the new specified frequency, the PLL switches CLKIN to the new frequency.

The DIV field controls whether the PLL is bypassed or not, and sets the PLL clocking ratio when not bypassed. In this paper set the PLL not bypassed and clocking ratio to $(XCLKIN*10)/2$ by select DIV field control to (1010) to give the maximum CPU clock rate.

The code development is carried out through an application suite called Code Composer Studio™ (CCS). The Code Composer Studio (CCS) provides an integrated development environment (IDE) to incorporate the software tool which is fully compatible and enables the engineers to simplify the source code. It has graphical capabilities and supports real-time debugging. Fig (4) shows the code composer window.

The 12-bit ADC module has 16 channels, configurable as two independent 8-channel modules to service event managers A and B. The two independent 8-channel modules can be cascaded to form a 16-channel module. Although there are multiple input channels and two sequencers, there is only one converter in the ADC module. Fig (5) shows the block diagram of the F2812 ADC module. The ADC of DSP could be triggered by the software, EVA/B or the external pins. In this paper the DSP platform, is set up the ADC trigger by the GPTimer1 (general-purpose timer one) of EVA that is set to continuous up count mode, whose frequency is supposed to be equal to the sampling frequency of the ADC. The Block diagram of the EVA module of TMS320F2812 is shown in Fig (6). The tachogenerator and reference voltages are connected to ADCINB0 and ADCINB1 respectively. Since the SOC is started by the GPTimer1, and once the conversion is finished, the EOC (end of conversion) interrupt is triggered, and then the ADC interrupt routine is called in the program. In ADC interrupt routine, DSP reads the sample results from the ADC result registers (ADCRESULT0 and ADCRESULT1).

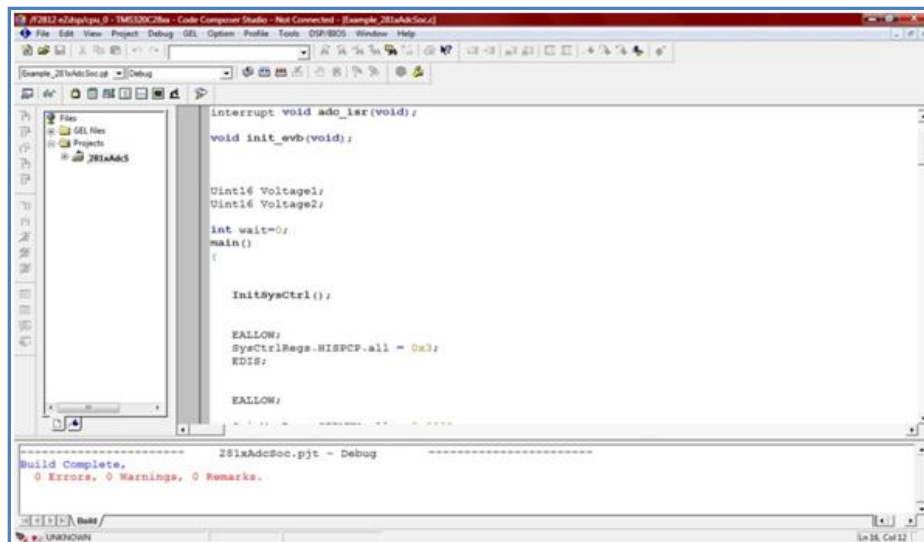


Figure (4) Code composer window.

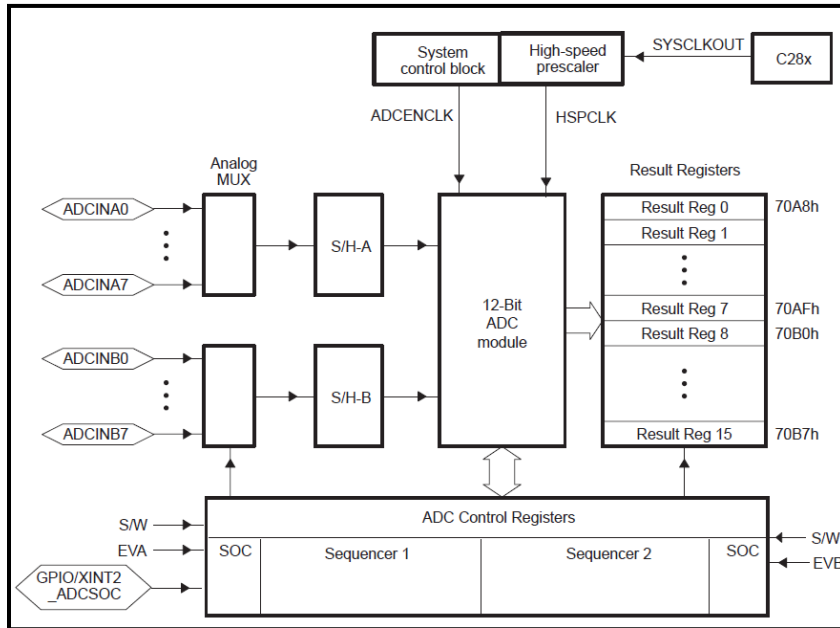


Figure (5) Block diagram of the F2812 ADC module.

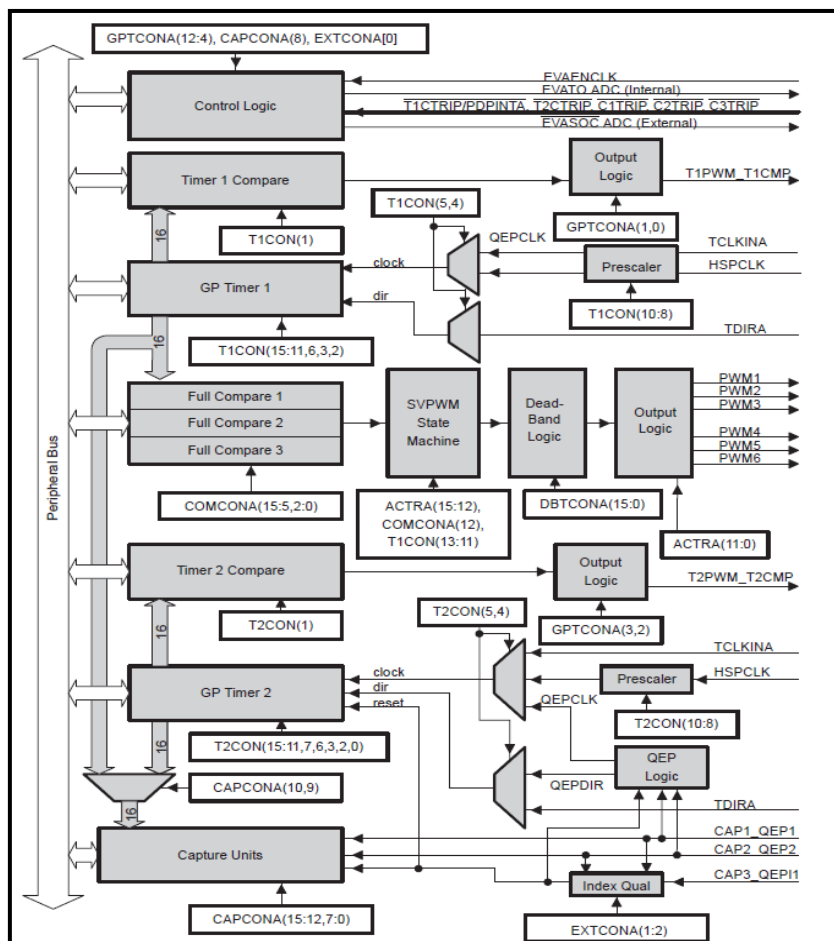


Figure (6) Block diagram of the EVA module for TMS320F2812.

VI. Experimental Results

The hardware system has been developed and tested under laboratory conditions. Fig. (7) shows the mark-space ratio output from TMS320F2812 DSP with desired switching frequency of the 5KHz. The system is designed in such away as to generate a PWM signal in which the duty cycle can be varied from zero to one hundred percent. The DC motor ratings that are used in this paper are 2KW; 220V and the load that is used is a generator coupled with DC motor.

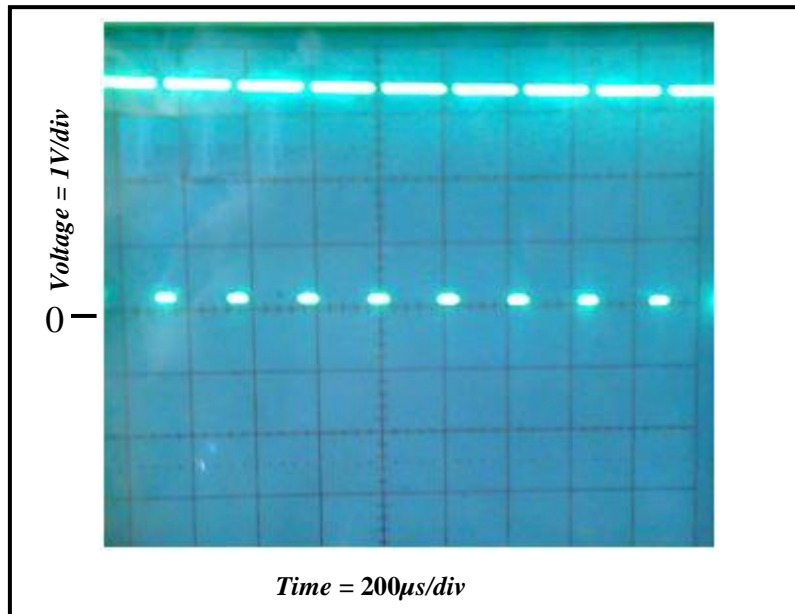


Figure (7) pulses signal output from DSP Kit with 90% duty cycle to drive circuit.

Fig.(8) shows the armature current of the DC motor with closed loop control system, from this Figure, it is noted that the armature current does not exceed the rated current of DC motor.

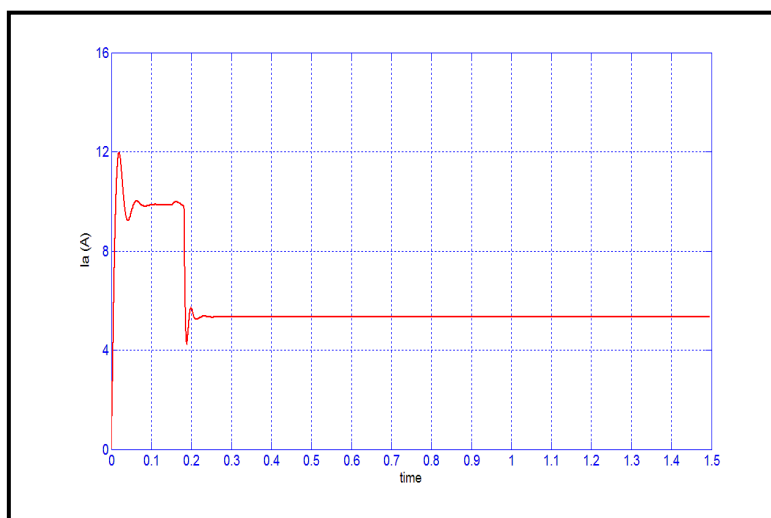


Figure (8) Armature current of the DC motor.

Fig. (9) shows the practical step speed response of DC motor with speed rising from zero to a predetermined speed of 1375 rpm shown by the NI-PCI-6023E data acquisition card (DAQ) with 1000 sample/second. It can be seen that a steady raise is achieved with almost 2.8% overshoot and then the speed settles at required speed. Fig.(10) shows the practical speed response when a sudden load torque 2N.m is applied to the DC motor. It can be seen that the speed descends appreciably from 1375 to 1315 rpm and resumes the setting value (1375rpm) quickly within 3.581 seconds. Fig (11) shows the power electronics and control circuits of the system. The experimental setup of the closed loop speed control system is shown in Fig (12).

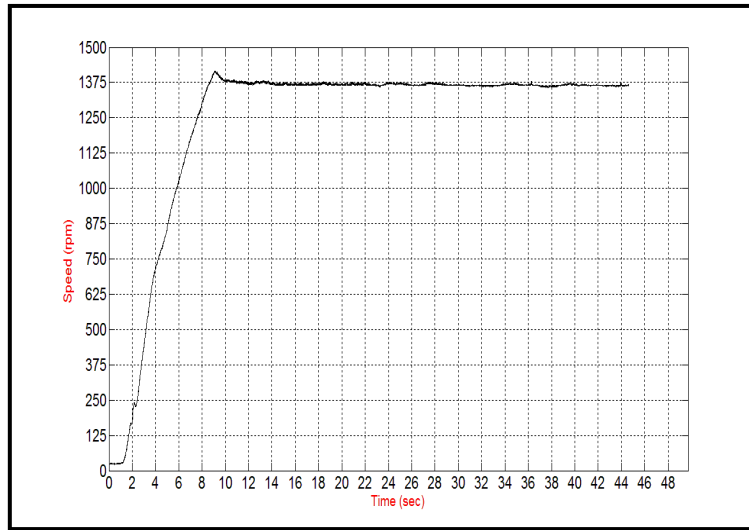


Figure (9) Experimental response of close loop speed control of the DC motor.

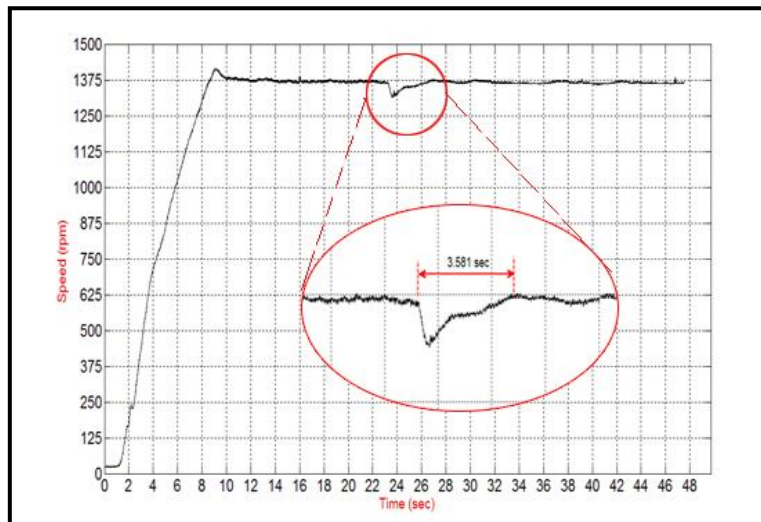


Figure (10) Experimental speed result with sudden increase of load.

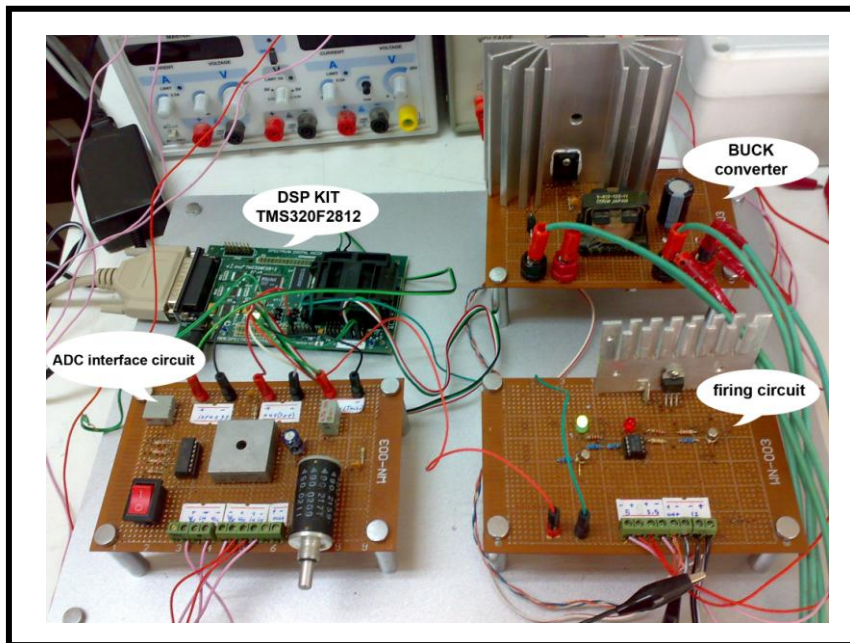


Figure (11) Photograph of DSP and power electronic circuit.

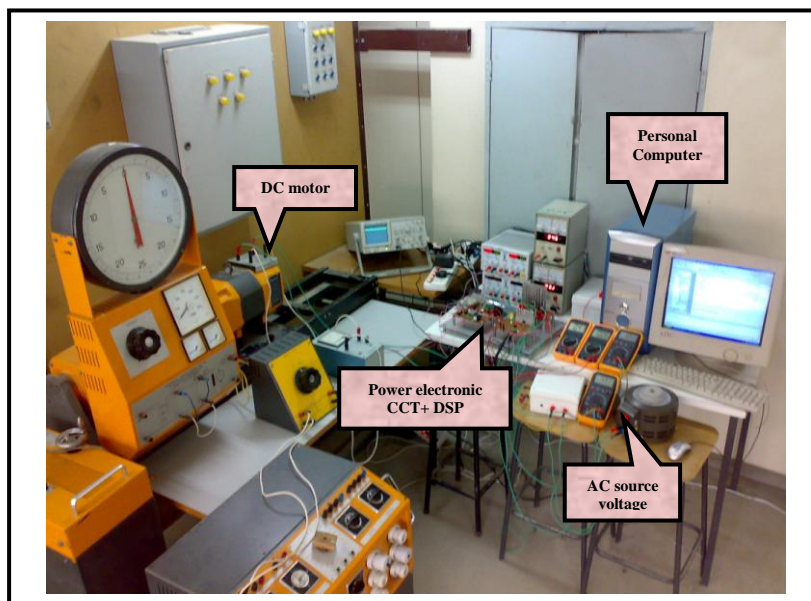


Figure (12) Experimental setup system

VII. Conclusion

The closed loop speed control system has been experimented, and the results were obtained by connecting DC motor as a load to the BUCK converter which is controlled by TMS320F2812 DSP. All the circuits were design and simulated using MATLAB program. Simulation and experimental results demonstrated the validity of the system and showed that the DSP is reliable instrument to control the motor. The system shows the applicability to different sizes of the motors and capable of controlling the speed of the motors with very high precision.

References

- [1] Moleykutty George, "Speed Control of Separately Excited DC Motor". American Journal of Applied Sciences, ISSN 1546-9239, 2008.
- [2] Jianxin Tang, "PID Controller Using the TMS320C31 DSK with on-Line Parameter Adjustment for Real-Time DC Motor Speed and Position Control", IEEE ISIE 2001.
- [3] K. Sundareswaran and M. Vasu, "Genetic Tuning of PI controller for Speed Control of DC Motor Drive", IEEE vol.2 ,PP. 521-525, 2000.
- [4] S. G .Kadwane, S. P. Vepa, B. M. Karan and T. Ghose, "Converter Based DC Motor Speed Control Using TMS320LF2407A DSK", IEEE- ICIEA, PP. 1-5, 2006.
- [5] Düsan Gleich, et.al. "Digitally Controlled Buck Converter", IEEE ISCAC 2004.
- [6] Muhammad Saad Rahman, "Buck Converter Design Issues". M.Sc thesis No: LITH-ISY-EX--06/3854-SE Linköping Date: 2007.
- [7] Fatma GÜRBÜZ, et.al. "Stability Analysis of a Closed-Loop Control for a Pulse Width Modulated DC Motor Drive", Turk J Elec Engin, VOL.10, NO.3 2002.
- [8] Texas Instruments Inc., "TMS320x281x DSP Event Manager (EV) Reference Guide", Literature Number: SPRU065E, June 2007.
- [9] Texas Instruments Inc., "Designing a TMS320F280x Based Digitally Controlled DC-DC Switching Power Supply", Literature Number: SPRAAB3, 2005.

The work was carried out at the college of Engineering. University of Mosul